

# 【Work Instruction】 ULTIMA Green Wall Wire Rope

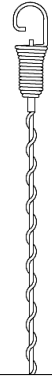
## Spiral Wire Rope Roll + Spring grip × L angle

\*Spiral wire rope roll : maximum length per wire should be 8m, for wire lengths than 5m, we recommended installing L angle in the middle of the wire to prevent it from swaying.

Spring hook with the gripper



①



②



③



④

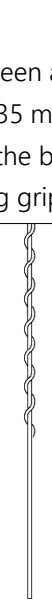


⑤

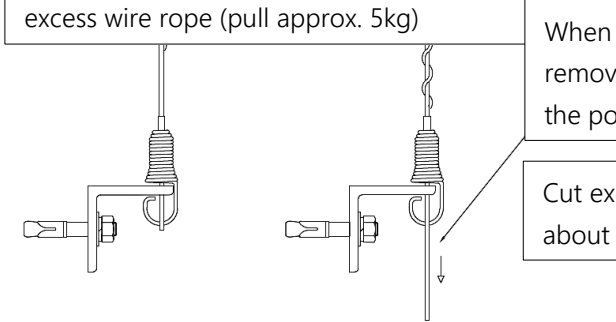
Approx. 5kg : spring is extended by 5 mm to 6mm

②、③  
Hook spring hook with gripper in L Angle hole at the top and insert the wire rope through the pin into the gripper at the bottom.

①  
Cut the wire at the dimension between angles + about 200 mm, strip the external helix of 35 mm to 40 mm at the top and 100 mm to 120 mm at the bottom, and insert the wire into the upper spring grip.



④、⑤  
Hook spring hook with gripper in L Angle hole at the bottom and wire rope is tensioned by pulling excess wire rope (pull approx. 5kg)



When applying tension, remove the external helix to the point where it is needed.

Cut excess wire rope leaving about 50mm

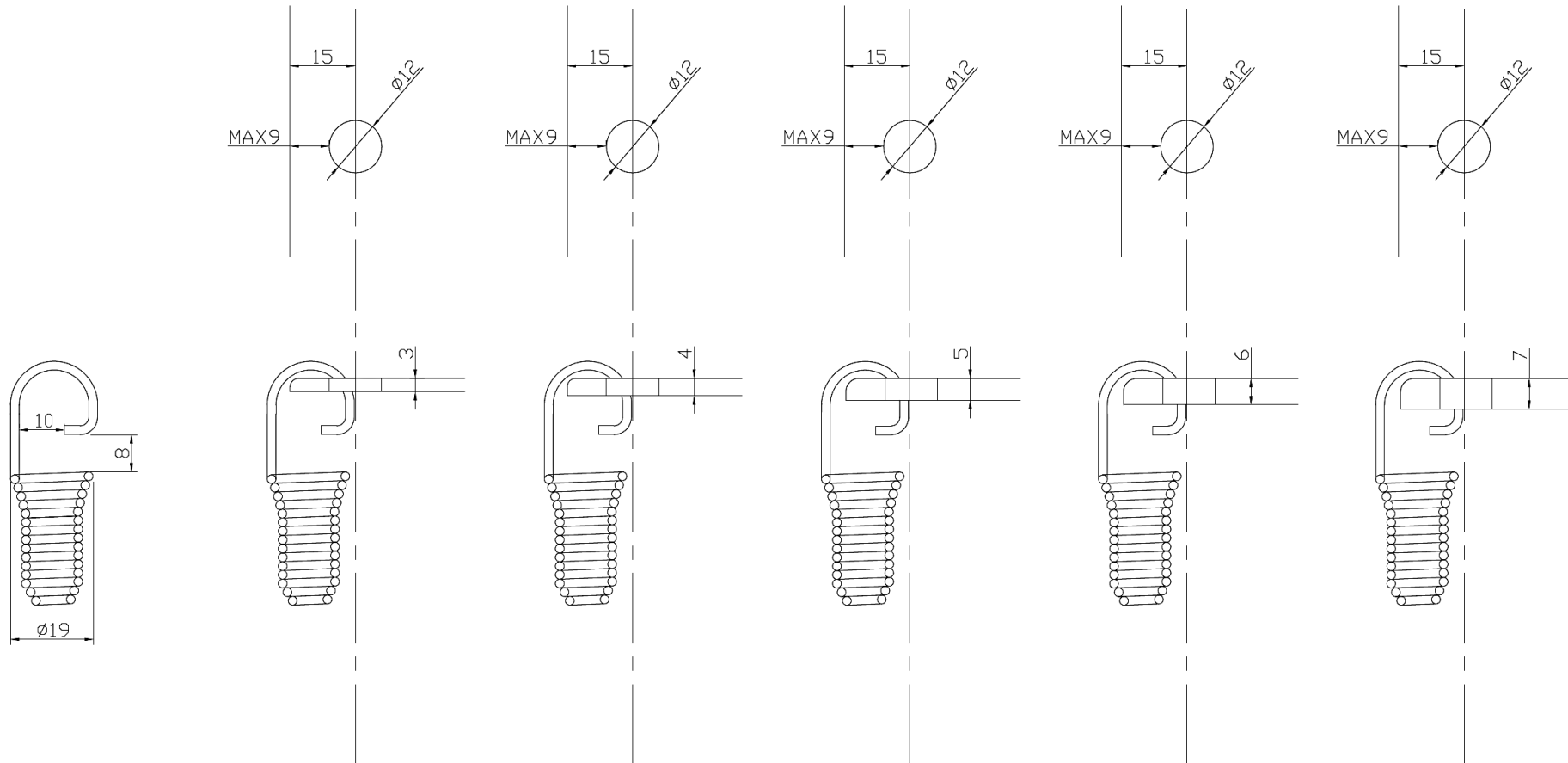
Example: If the dimension between angles is L=3,000, the wire cut dimension is L=3,200

Spring hook with the gripper



# ULTIMA Green Wall Wire Rope

Important : L angle drilling dimensions and drilling positions

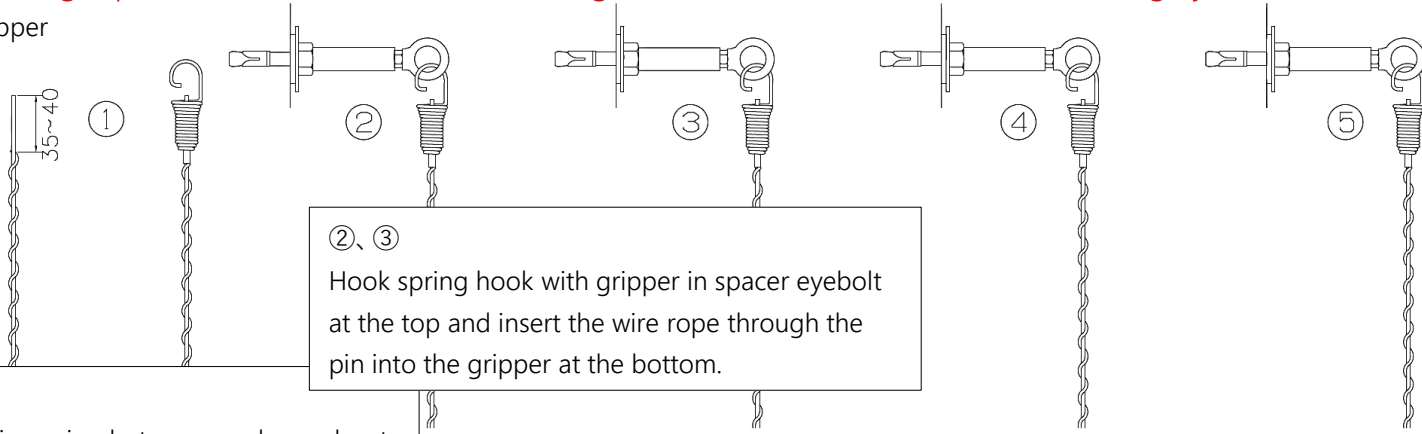


# 【Work Instruction】 ULTIMA Green Wall Wire Rope

Spiral Wire Rope Roll + Spring grip × Spacer Eyebolt

\*Spiral wire rope roll : maximum length per wire should be 8m, for wire lengths than 5m, we recommended installing eyebolts in the middle of the wire to prevent it from swaying

Spring hook with the gripper



Approx. 5kg : spring is extended by 5 mm to 6mm

①  
Cut the wire at the dimension between angles + about 200 mm, strip the external helix of 35 mm to 40 mm at the top and 100 mm to 120 mm at the bottom, and insert the wire into the upper spring grip.

②、③  
Hook spring hook with gripper in spacer eyebolt at the top and insert the wire rope through the pin into the gripper at the bottom.

④、⑤  
Hook spring hook with gripper in spacer eyebolt at the bottom and wire rope is tensioned by pulling excess wire rope (pull approx. 5kg)

When applying tension, remove the external helix to the point where it is needed.

Cut excess wire rope leaving about 50mm

Spring hook with the gripper

Example: If the dimension between angles is L=3,000 the wire cut dimension is L=3,200